



EverExceed[®] Patented Robust AGM Technology

ST-12250
VALVE REGULATED
LEAD ACID BATTERY
FOR TELECOM / ELECTRIC
UTILITY APPLICATIONS
12V 250 AH @ 10 HR to 1.80VPC
12V 284 AH @ 20 HR to 1.75VPC

**LONG
DURATION**

**HIGH
PERFORMANCE**

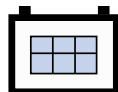


Innovative Features

- ◆ Thick positive plate design for maximum service float life 12 years design life @ 20°C(68°F).
- ◆ Valve regulated lead acid battery (VRLA).
- ◆ High-Compression Absorbed Glass Mat technology (AGM) for greater than 99% recombination efficiency.
- ◆ Proprietary Fixed Orifice Plate Pasting technology applying active materials on both sides of the grid for consistent cell-to-cell performance, higher capacity and uniform grid protection.
- ◆ Operates at a low internal pressure.
- ◆ Heavy duty insert copper alloy terminals for ease of assembly, reduced maintenance and increased safety.
- ◆ Advanced lead tin calcium alloy, reduces grid corrosion and promotes long battery life.
- ◆ Over-sized, through the partition inter-cell welds provide low resistance connections, with minimal power loss.
- ◆ Flame arresting, low pressure safety release venting system for individual cells, recognized per U.L. 924.
- ◆ Multicell design for ease of installation and maintenance
- ◆ Horizontal or vertical operation.
- ◆ **Standard:**
Reinforced ABS (UL 94HB) container and cover
Optional:
Flame-retardant reinforced ABS container and cover compliant with U.L.94 V-0 with an Oxygen limiting Index of greater than 28%.

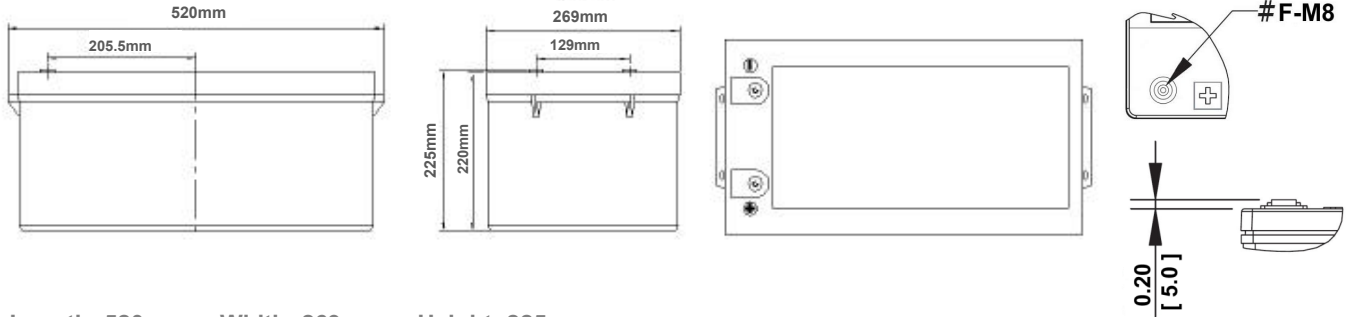
12 VOLTS - 250 AMPERE HOUR @ 10 HOUR RATE										
AH Capacity to 1.80VPC @ 68°F (20°C)										
End Point Volts/Cell	60min	1.5hr	2hr	3hr	4hr	5hr	8hr	10hr	12hr	20hr
1.80	165	180	192	195	213	222	240	250	255	275

For Telecom / Electric Utility Applications



Standard Range VRLA

EverExceed[®]
power your applications



Length: 520mm Width: 269mm Height: 225mm

Electrical Specifications						
Cells Per Unit	Voltage Per Unit	Weight	Electrolyte	Maximum Discharge Current@5s	Short Circuit Current	Internal Resistance (mΩ)
6	12.84	162lbs 74.0kg	SG = 1.300	2500 Amps	6200 Amps	2.5

Capacity	284 Ah @ 20 hr. rate to 1.75 volts per cell @ 68°F (20°C). 250 Ah @ 10 hr. rate to 1.80 volts per cell @ 68°F (20°C).
Applicable Operating Temperature Range	-40°F (-40°C) to +158°F (70°C).
Ideal Operating Temperature Range	+68°F (+20°C) to +82.4°F (28°C).
Floating Charging Voltage	13.5 to 13.8 VDC/unit Average at 68°F~77°F (20°C~25°C).
Recommended Maximum Charging Current Limit	62.5 Amperes (0.25C10 Amperes)
Equalization and Cycle Service Charging Voltage	14.1 to 14.4 VDC/unit Average at 68°F~77°F (20°C~25°C).
Maximum AC Ripple (Charger)	0.5% RMS or 1.5% P-P of float charge voltage recommended for best results. Maximum voltage allowed = 1.4% RMS (4% P-P). Maximum current allowed = 1.25 amperes RMS (C/10).
Self Discharge	EverExceed Standard Range batteries may be stored for up to 12 months at 68°F~77°F (20°C~25°C) and then a freshening charge is required. For higher temperatures the time interval will be shorter.
Accessories	Inter unit connectors racks and cabinet systems are available.
Terminal: Inserted	Threaded copper alloy insert terminal
Terminal Hardware Initial Torque: Inserted Terminal	11 N-m

Constant Power Discharging Ratings - Watts Per Cell @ 20°C (68°F)												
End Point Volts/Cell	15min	30min	60min	1.5hr	2hr	3hr	4hr	5hr	8hr	10hr	12hr	20hr
1.85	739	476	301	216	178	121	99.5	82.7	57.1	47.6	41.2	27.1
1.80	754	486	307	232	183	127	104	86.7	59.5	49.5	42.3	27.7
1.75	799	504	318	239	189	129	106	88.5	60.4	50.4	43.0	28.4

Constant Current Discharging Ratings - Amperes Per Cell @ 20°C (68°F)												
End Point Volts/Cell	15min	30min	60min	1.5hr	2hr	3hr	4hr	5hr	8hr	10hr	12hr	20hr
1.85	400	255	162	113	90.2	61.5	50.4	41.8	29.0	23.9	20.3	13.1
1.80	408	260	165	121	96.0	65.6	53.4	44.5	30.1	25.0	21.3	13.8
1.75	442	273	168	123	97.9	66.9	54.8	45.1	30.8	25.8	21.9	14.2

Note: Batteries to be mounted with 0.5 in (1.25 cm) spacing minimum and free air ventilation.
Specifications subject to change without notification.

