



EverExceed<sup>®</sup> Patented Robust AGM Technology

**ST-12135**  
VALVE REGULATED  
LEAD ACID BATTERY  
FOR TELECOM / ELECTRIC  
UTILITY APPLICATIONS  
12V 135 AH @ 10 HR to 1.80VPC  
12V 153 AH @ 20 HR to 1.75VPC

**LONG  
DURATION**

**HIGH  
PERFORMANCE**



**Innovative Features**

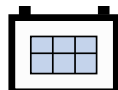
- ◆ Thick positive plate design for maximum service float life 12 years design life @ 20°C(68°F).
- ◆ Valve regulated lead acid battery (VRLA).
- ◆ High-Compression Absorbed Glass Mat technology (AGM) for greater than 99% recombination efficiency.
- ◆ Proprietary Fixed Orifice Plate Pasting technology applying active materials on both sides of the grid for consistent cell-to-cell performance, higher capacity and uniform grid protection.
- ◆ Operates at a low internal pressure.
- ◆ Heavy duty insert copper alloy terminals for ease of assembly, reduced maintenance and increased safety.
- ◆ Advanced lead tin calcium alloy, reduces grid corrosion and promotes long battery life.
- ◆ Over-sized, through the partition inter-cell welds provide low resistance connections, with minimal power loss.
- ◆ Flame arresting, low pressure safety release venting system for individual cells, recognized per U.L. 924.
- ◆ Multicell design for ease of installation and maintenance
- ◆ Horizontal or vertical operation.
- ◆ **Standard:**  
Reinforced ABS (UL 94HB) container and cover
- ◆ **Optional:**  
Flame-retardant reinforced ABS container and cover compliant with U.L.94 V-0 with an Oxygen limiting Index of greater than 28%.

12 VOLTS - 135 AMPERE HOUR @ 10 HOUR RATE

AH Capacity to 1.80VPC @ 68°F (20°C)

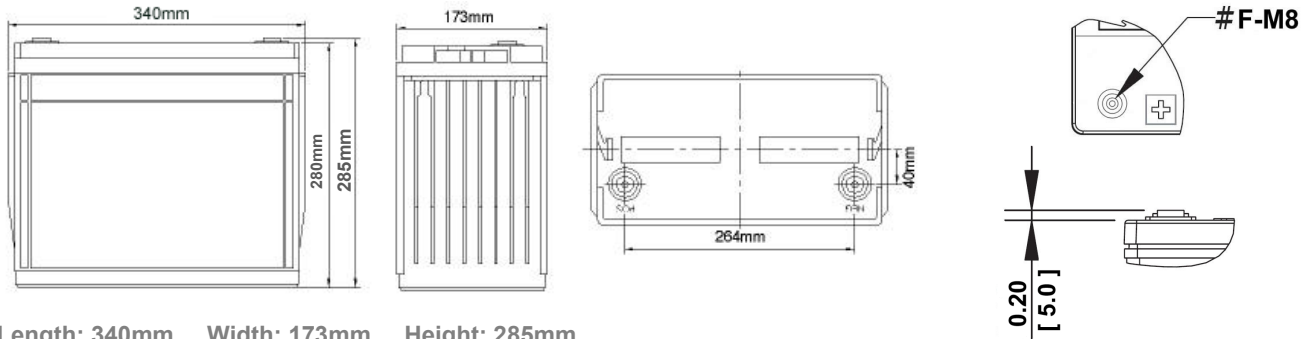
| End Point Volts/Cell | 60min | 1.5hr | 2hr | 3hr | 4hr | 5hr | 8hr | 10hr | 12hr | 20hr |
|----------------------|-------|-------|-----|-----|-----|-----|-----|------|------|------|
| 1.80                 | 87.0  | 97.5  | 103 | 106 | 115 | 120 | 131 | 135  | 138  | 149  |

**For Telecom / Electric Utility Applications**



# Standard Range VRLA

**EverExceed**<sup>®</sup>  
power your applications



Length: 340mm Width: 173mm Height: 285mm

| Electrical Specifications |                  |                |             |                              |                       |                          |
|---------------------------|------------------|----------------|-------------|------------------------------|-----------------------|--------------------------|
| Cells Per Unit            | Voltage Per Unit | Weight         | Electrolyte | Maximum Discharge Current@5s | Short Circuit Current | Internal Resistance (mΩ) |
| 6                         | 12.84            | 88.0lbs 40.0kg | SG = 1.300  | 1350 Amps                    | 3750 Amps             | 4.0                      |

|  |   |
|--|---|
| <b>Capacity</b>  | 153 Ah @ 20 hr. rate to 1.75 volts per cell @ 68°F (20°C).<br>135 Ah @ 10 hr. rate to 1.80 volts per cell @ 68°F (20°C).  |
| <b>Applicable Operating Temperature Range</b>              | -40°F (-40°C) to +158°F (70°C).   |
| <b>Ideal Operating Temperature Range</b>                   | +68°F (+20°C) to +82.4°F (28°C).  |
| <b>Floating Charging Voltage</b>                           | 13.5 to 13.8 VDC/unit Average at 68°F~77°F (20°C~25°C).   |
| <b>Recommended Maximum Charging Current Limit</b>          | 33.75 Amperes ( 0.25C10 Amperes )   |
| <b>Equalization and Cycle Service Charging Voltage</b>     | 14.1 to 14.4 VDC/unit Average at 68°F~77°F (20°C~25°C).   |
| <b>Maximum AC Ripple (Charger)</b>                         | 0.5% RMS or 1.5% P-P of float charge voltage recommended for best results.<br>Maximum voltage allowed = 1.4% RMS (4% P-P).<br>Maximum current allowed = 0.68 amperes RMS (C/10).                    |
| <b>Self Discharge</b>                                      | EverExceed Standard Range batteries may be stored for up to 12 months at 68°F~77°F (20°C~25°C) and then a freshening charge is required. For higher temperatures the time interval will be shorter. |
| <b>Accessories</b>   | Inter unit connectors racks and cabinet systems are available.  |
| <b>Terminal: Inserted</b>                                  | Threaded copper alloy insert terminal   |
| <b>Terminal Hardware Initial Torque: Inserted Terminal</b> | 11 N-m  |

| Constant Power Discharging Ratings - Watts Per Cell @ 20°C (68°F) |       |       |       |       |      |      |      |      |      |      |      |      |
|---|-------|-------|-------|-------|------|------|------|------|------|------|------|------|
| End Point Volts/Cell  | 15min | 30min | 60min | 1.5hr | 2hr  | 3hr  | 4hr  | 5hr  | 8hr  | 10hr | 12hr | 20hr |
| 1.85  | 399   | 258   | 165   | 116   | 94.2 | 64.9 | 53.9 | 45.4 | 31.1 | 26.0 | 23.4 | 14.6 |
| 1.80  | 407   | 263   | 168   | 123   | 98.9 | 68.3 | 56.3 | 46.6 | 32.1 | 26.7 | 24.9 | 15.1 |
| 1.75  | 431   | 273   | 174   | 128   | 101  | 69.7 | 57.3 | 47.7 | 32.7 | 27.3 | 25.4 | 15.4 |

| Constant Current Discharging Ratings - Amperes Per Cell @ 20°C (68°F) |       |       |       |       |      |      |      |      |      |      |      |      |
|---|-------|-------|-------|-------|------|------|------|------|------|------|------|------|
| End Point Volts/Cell  | 15min | 30min | 60min | 1.5hr | 2hr  | 3hr  | 4hr  | 5hr  | 8hr  | 10hr | 12hr | 20hr |
| 1.85  | 215   | 139   | 85.3  | 60.4  | 48.6 | 33.2 | 27.4 | 22.9 | 15.7 | 13.1 | 11.1 | 7.21 |
| 1.80  | 219   | 142   | 87.0  | 64.9  | 51.6 | 35.2 | 28.9 | 23.8 | 16.2 | 13.5 | 11.5 | 7.43 |
| 1.75  | 238   | 146   | 90.4  | 67.0  | 52.8 | 36.1 | 29.6 | 24.7 | 16.7 | 13.9 | 11.8 | 7.65 |

**Note:** Batteries to be mounted with 0.5 in (1.25 cm) spacing minimum and free air ventilation.  
Specifications subject to change without notification.

