

EXCELLENT CYCLING ABILITY

FOR
TELECOMMUNICATION
SOLAR / PHOTOVOLTAIC
WIND GENERATION
MARINE
APPLICATIONS



GL-6200

ADVANCED TECHNOLOGY

GELLED VALVE REGULATED
LEAD ACID BATTERY (GVR)
FOR CYCLING APPLICATIONS

6V 200AH @ 20 HR RATE to 1.75VPC
6V 216AH @ 100 HR RATE to 1.75VPC

LONG DURATION

Innovative Features

- ◆ Deep cycle battery designed, GEL electrolyte with highly porous glass micro-fiber separator;
- ◆ Exceptional energy storage capacity combined with long life - BCI Classification;
- ◆ Thick positive plate design for maximum service float life - 12 years design life @ 20°C(68°F);
- ◆ Thickness positive plate plus optimized plate alloy to anti-corrosion;
- ◆ Maintenance-free (no topping up) during the whole service life due to EverExceed GEL technology ;
- ◆ Proprietary Fixed Orifice Plate Pasting technology applying active materials on both sides of the grid for consistent cell-to-cell performance, higher capacity and uniform grid protection;
- ◆ Flame-arresting one-way pressure-relief vent for safe and long life;
- ◆ Electrolyte in solid gel form will not stratify no equalization charge required;
- ◆ Sulfuric acid thixotropic gel, gel powder from Europe leading supplier to ensure the unique performance of gel battery;
- ◆ Increased durability and deep cycle ability for heavy duty applications;
- ◆ Fully tank formed grid Lead Calcium Tin plate ensures voltage matching between cells;
- ◆ Shelf life up to 2 years at 20°C (68°F), very low gassing due to internal gas recombination;
- ◆ Can be used in any orientation. Upright, side or end mounting recommended;
- ◆ Unique performance against high temperature;
- ◆ UL Recognized component;
- ◆ Spill-proof and leak-proof.

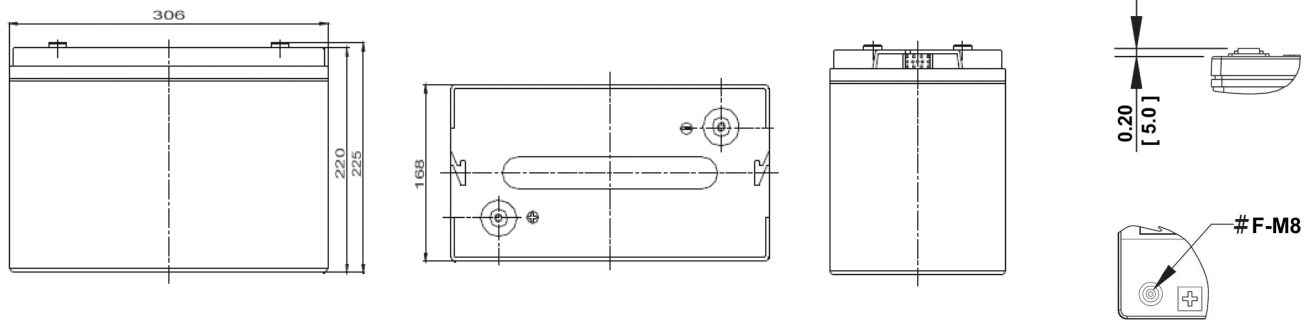
6 VOLTS - 200 AMPERE HOUR @ 20 HOUR RATE

AH Capacity to 1.75VPC @ 20°C (68°F)

End Point Volts/Cell	1.5hr	2hr	3hr	4hr	5hr	8hr	10hr	12hr	20hr	24hr	100hr
1.75	132	141	149	157	161	177	184	188	200	208	216

Gellyte Range VRLA

EverExceed[®]
power your applications



Length: 306mm Width: 168mm Height: 225mm

Electrical Specifications					
Cells Per Unit	Voltage Per Unit	Weight	Electrolyte	Short Circuit Current	Internal Resistance Milliohms
3	6.42	60.3lbs 27.4kg	SG = 1.300	4896 Amps	3.2

Capacity	6V 200AH @ 20 HR RATE to 1.75VPC 6V 216AH @ 100 HR RATE to 1.75VPC
Applicable Operating Temperature Range	-40°C (-40°F) to +70°C (158°F).
Ideal Operating Temperature Range	+20°C (+68°F) to +32°C (90°F).
Floating Charging Voltage	6.75 to 6.90 VDC/unit Average at 20°C (77°F).
Recommended Maximum Charging Current Limit	40.0 Amperes (0.20 C20 Amperes)
Equalization and Cycle Service Charging Voltage	7.05 to 7.20 VDC/unit Average at 20°C (77°F).
Maximum AC Ripple (Charger)	0.5% RMS or 1.5% P-P of float charge voltage recommended for best results. Maximum voltage allowed = 1.4% RMS (4% P-P). Maximum current allowed = 1.00 amperes RMS (C/20) to 1.75VPC.
Self Discharge	EverExceed Gellyte Range batteries may be stored for up to 24 months at 20°C (68°F) and then a freshening charge is required. For higher temperatures the time interval will be shorter.
Accessories	Inter unit connectors racks and cabinet systems are available.
Terminal: Inserted	Threaded copper alloy insert terminal.
Terminal Hardware Initial Torque: Inserted Terminal	11 N-m

Constant Power Discharging Ratings - Watts Per Cell @ 20°C (68°F)											
End Point Volts/Cell	1.5hr	2hr	3hr	4hr	5hr	8hr	10hr	12hr	20hr	24hr	100hr
1.85	155	125	89.3	70.9	58.7	40.6	34.0	29.5	18.8	15.9	4.21
1.80	164	131	93.6	74.1	61.8	42.2	35.2	30.2	19.5	16.7	4.52
1.75	170	136	95.5	75.9	62.9	43.4	36.1	30.7	19.8	17.0	4.65

Constant Current Discharging Ratings - Amperes Per Cell @ 20°C (68°F)											
End Point Volts/Cell	1.5hr	2hr	3hr	4hr	5hr	8hr	10hr	12hr	20hr	24hr	100hr
1.85	80.5	64.0	45.6	36.0	29.7	20.7	17.0	14.6	9.34	7.83	2.05
1.80	85.3	68.0	48.7	38.0	31.7	21.3	17.9	15.2	9.7	8.38	2.12
1.75	87.7	70.3	49.5	39.2	32.2	22.1	18.4	15.7	10.0	8.65	2.16

Note: Batteries to be mounted with 0.39 in (1.00 cm) spacing minimum and free air ventilation.
Specifications subject to change without notification.