



# HIGH PERFORMANCE

**EVEREXCEED AGM TECHNOLOGY**



## FT12V250

**VALVE REGULATED**

**LEAD ACID BATTERY (AVR)**

**FOR COMMUNICATION**

**STANDBY POWER APPLICATIONS**

**12V 250AH @ 10 HR RATE to 1.80VPC**

**12V 248AH @ 8 HR RATE to 1.75VPC**

**12V 840WATTS/CELL @ 15MIN RATE to 1.67VPC**

# LONG DURATION

### Innovative Features

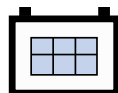
- ☑ Virgin Pure Lead Tin and thick positive plate technology design for maximum service float life - 15 years design life @ 20°C(68°F);
- ☑ UL Recognized component;
- ☑ Valve regulated lead acid battery (VRLA);
- ☑ Optimized high-compression Absorbed Glass Mat (AGM) materials significantly enhance performance and reliability, greater than 99% recombination efficiency;
- ☑ Proprietary Fixed Orifice Plate Pasting technology applying active materials on both sides of the grid for consistent cell-to-cell performance, higher capacity and uniform grid protection.
- ☑ Advanced triple stage unique terminal sealing design to ensure leak free operation;
- ☑ Operates at a low internal pressure;
- ☑ Heavy duty M6 / M8 Female copper plated terminals provide maximum performance and easy installation, reduce maintenance and increase safety;
- ☑ Advanced lead tin low-calcium alloy, reduces grid corrosion and promotes long battery life;
- ☑ Optional: Reinforced ABS (UL 94HB) container and cover; Standard: Flame-retardant reinforced ABS case and cover compliant with U.L.94 V-0 with an Oxygen Limiting Index of greater than 28%; Designed to withstand extreme temperature degrees and performance without degradation;
- ☑ Over-sized, through the partition inter-cell welds provide low resistance connections, with minimal power loss;
- ☑ Flame arresting, low pressure safety release venting system for individual cells, recognized per U.L.924;
- ☑ Multi-cell design for ease of installation and maintenance;
- ☑ Horizontal or vertical operation.

**12 VOLTS - 250 AMPERE HOUR @ 10 HOUR RATE**

**AH Capacity to 1.80VPC @ 20°C (68°F)**

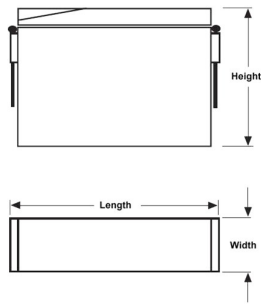
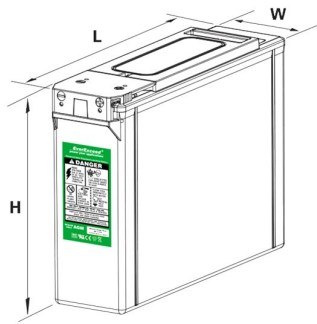
| End Point Volts/Cell | 1.5hr | 2hr | 3hr | 4hr | 5hr | 6hr | 8hr | 10hr | 12hr | 20hr | 24hr |
|----------------------|-------|-----|-----|-----|-----|-----|-----|------|------|------|------|
| 1.80                 | 180   | 192 | 203 | 213 | 222 | 235 | 240 | 250  | 255  | 277  | 282  |

**For Mobility / Solar / Marine Telecommunication Applications**

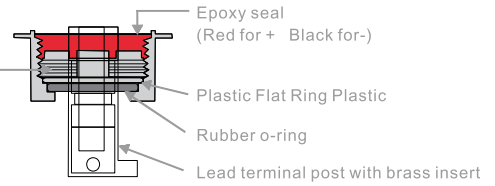


# FT AGM Range VRLA

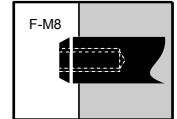
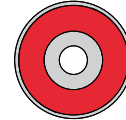
**EverExceed**<sup>®</sup>  
power your applications



Plastic screwed cap to hold down flat and o-ring



Length (L): 520 mm  
Width (W): 269 mm  
Height (H): 225 mm



| Electrical Specifications |                  |               |             |                           |                       |                     |
|---------------------------|------------------|---------------|-------------|---------------------------|-----------------------|---------------------|
| Cells Per Unit            | Voltage Per Unit | Weight        | Electrolyte | Maximum discharge current | Short Circuit Current | Ohms Imped 60 Hz(Ω) |
| 6                         | 12.84            | 163lbs 74.0kg | SG = 1.300  | 1587 Amps                 | 6200 Amps             | 0.00282             |

|  |  |
|--|--|
| <b>Capacity</b>  | 250 Ah @ 10 hr. rate to 1.80 volts per cell @ 20°C (68°F).<br>248 Ah @ 8 hr. rate to 1.75 volts per cell @ 20°C (68°F).<br>840 Watts per all at the 15 minute rate to 1.67 volts per cell @ 20°C (68°F). |
| <b>Applicable Operating Temperature Range</b>              | -40°C (-40°F) to +70°C (+158°F).   |
| <b>Ideal Operating Temperature Range</b>                   | +20°C (+68°F) to +28°C (+82.4°F).  |
| <b>Floating Charging Voltage</b>                           | 13.5 to 13.8 VDC/unit Average at 25°C (77°F).  |
| <b>Recommended Maximum Charging Current Limit</b>          | 0.2C20 amperes (57.2 amperes @ 100% depth of discharge) @ 20 hr. rate to 1.75VPC.  |
| <b>Equalization and Cycle Service Charging Voltage</b>     | 14.1 to 14.4 VDC/unit Average at 25°C (77°F).  |
| <b>Maximum AC Ripple (Charger)</b>                         | 0.5% RMS or 1.5% P-P of float charge voltage recommended for best results.<br>Maximum voltage allowed = 1.4% RMS (4% P-P).<br>Maximum current allowed = 14.3 amperes RMS (C/20) to 1.75VPC.              |
| <b>Self Discharge</b>                                      | EverExceed FT AGM Range batteries may be stored for up to 12 months at 20°C~25°C (68°F~77°F) and then a freshening charge is required. For higher temperatures the time interval will be shorter.        |
| <b>Accessories</b>   | Inter unit connectors racks and cabinet systems are available.   |
| <b>Terminal: Inserted</b>                                  | Threaded copper alloy insert terminal  |
| <b>Terminal Hardware Initial Torque: Inserted Terminal</b> | 20 NM  |

| Constant Power Discharging Ratings - Watts Per Cell @ 20°C (68°F) |       |     |     |      |      |      |      |      |      |      |      |
|---|-------|-----|-----|------|------|------|------|------|------|------|------|
| End Point Volts/Cell  | 1.5hr | 2hr | 3hr | 4hr  | 5hr  | 6hr  | 8hr  | 10hr | 12hr | 20hr | 24hr |
| 1.85  | 216   | 178 | 126 | 99.5 | 82.7 | 84.7 | 57.1 | 47.6 | 41.2 | 27.1 | 22.3 |
| 1.80  | 232   | 183 | 132 | 104  | 86.7 | 89.7 | 59.5 | 49.5 | 42.3 | 27.7 | 23.5 |
| 1.75  | 239   | 189 | 134 | 106  | 88.5 | 91.1 | 60.4 | 50.4 | 43   | 28.4 | 23.9 |

| Constant Current Discharging Ratings - Ampere per Cell @ 20°C (68°F) |       |      |      |      |      |      |      |      |      |      |      |
|--|-------|------|------|------|------|------|------|------|------|------|------|
| End Point Volts/Cell   | 1.5hr | 2hr  | 3hr  | 4hr  | 5hr  | 6hr  | 8hr  | 10hr | 12hr | 20hr | 24hr |
| 1.85   | 113   | 90.2 | 64.1 | 50.4 | 41.8 | 37.2 | 29   | 23.9 | 20.2 | 13.4 | 11   |
| 1.80   | 121   | 96   | 68.3 | 53.4 | 44.5 | 39.4 | 30.1 | 25   | 21.3 | 14   | 11.7 |
| 1.75   | 123   | 97.9 | 69.7 | 54.8 | 45.1 | 40.5 | 31   | 25.8 | 22   | 14.3 | 12.1 |

**Note:** Batteries to be mounted with 0.5 in (1.25 cm) spacing minimum and free air ventilation. Specifications subject to change without notification.

