



# HIGH PERFORMANCE

## EVEREXCEED AGM TECHNOLOGY

### FT12V180

VALVE REGULATED

LEAD ACID BATTERY (AVR)

FOR COMMUNICATION

STANDBY POWER APPLICATIONS

12V 180AH @ 10 HR RATE to 1.80VPC

12V 178AH @ 8 HR RATE to 1.75VPC

12V 601WATTS/CELL @ 15MIN RATE to 1.67VPC

# LONG DURATION



### Innovative Features

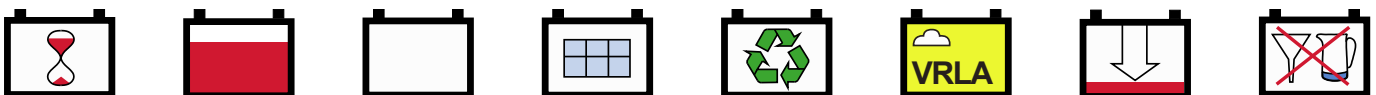
- ☑ Virgin Pure Lead Tin and thick positive plate technology design for maximum service float life - 15 years design life @ 20°C(68°F);
- ☑ UL Recognized component;
- ☑ Valve regulated lead acid battery (VRLA);
- ☑ Optimized high-compression Absorbed Glass Mat (AGM) materials significantly enhance performance and reliability, greater than 99% recombination efficiency;
- ☑ Proprietary Fixed Orifice Plate Pasting technology applying active materials on both sides of the grid for consistent cell-to-cell performance, higher capacity and uniform grid protection.
- ☑ Advanced triple stage unique terminal sealing design to ensure leak free operation;
- ☑ Operates at a low internal pressure;
- ☑ Heavy duty M6 / M8 Female copper plated terminals provide maximum performance and easy installation, reduce maintenance and increase safety;
- ☑ Advanced lead tin low-calcium alloy, reduces grid corrosion and promotes long battery life;
- ☑ Optional: Reinforced ABS (UL 94HB) container and cover; Standard: Flame-retardant reinforced ABS case and cover compliant with U.L.94 V-0 with an Oxygen Limiting Index of greater than 28%; Designed to withstand extreme temperature degrees and performance without degradation;
- ☑ Over-sized, through the partition inter-cell welds provide low resistance connections, with minimal power loss;
- ☑ Flame arresting, low pressure safety release venting system for individual cells, recognized per U.L.924;
- ☑ Multi-cell design for ease of installation and maintenance;
- ☑ Horizontal or vertical operation.

12 VOLTS - 180 AMPERE HOUR @ 10 HOUR RATE

AH Capacity to 1.80VPC @ 20°C (68°F)

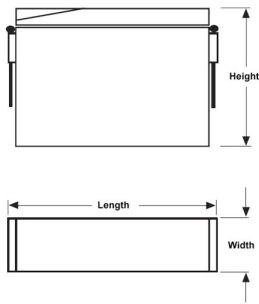
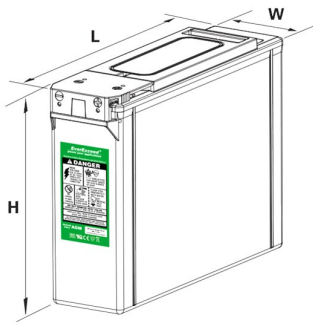
End Point Volts/Cell	1.5hr	2hr	3hr	4hr	5hr	6hr	8hr	10hr	12hr	20hr	24hr
1.80	129	138	146	153	159	170	172	180	183	200	202

For Mobility / Solar / Marine Telecommunication Applications

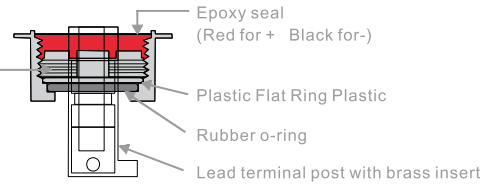


# FT AGM Range VRLA

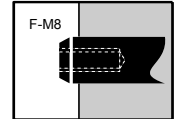
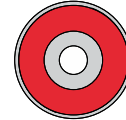
**EverExceed**<sup>®</sup>  
power your applications



Plastic screwed cap to hold down flat and o-ring



Length (L): 560 mm  
Width (W): 125 mm  
Height (H): 316 mm



### Electrical Specifications

Cells Per Unit	Voltage Per Unit	Weight	Electrolyte	Maximum discharge current	Short Circuit Current	Ohms Imped 60 Hz(Ω)
6	12.84	133lbs 60.5kg	SG = 1.300	1143 Amps	5300 Amps	0.00334

<b>Capacity</b>	180 Ah @ 10 hr. rate to 1.80 volts per cell @ 20°C (68°F). 178 Ah @ 8 hr. rate to 1.75 volts per cell @ 20°C (68°F). 601 Watts per all at the 15 minute rate to 1.67 volts per cell @ 20°C (68°F).
<b>Applicable Operating Temperature Range</b>	-40°C (-40°F) to +70°C (+158°F).
<b>Ideal Operating Temperature Range</b>	+20°C (+68°F) to +28°C (+82.4°F).
<b>Floating Charging Voltage</b>	13.5 to 13.8 VDC/unit Average at 25°C (77°F).
<b>Recommended Maximum Charging Current Limit</b>	0.2C20 amperes (40.8 amperes @ 100% depth of discharge) @ 20 hr. rate to 1.75VPC.
<b>Equalization and Cycle Service Charging Voltage</b>	14.1 to 14.4 VDC/unit Average at 25°C (77°F).
<b>Maximum AC Ripple (Charger)</b>	0.5% RMS or 1.5% P-P of float charge voltage recommended for best results. Maximum voltage allowed = 1.4% RMS (4% P-P). Maximum current allowed = 10.2 amperes RMS (C/20) to 1.75VPC.
<b>Self Discharge</b>	EverExceed FT AGM Range batteries may be stored for up to 12 months at 20°C~25°C (68°F~77°F) and then a freshening charge is required. For higher temperatures the time interval will be shorter.
<b>Accessories</b>	Inter unit connectors racks and cabinet systems are available.
<b>Terminal: Inserted</b>	Threaded copper alloy insert terminal
<b>Terminal Hardware Initial Torque: Inserted Terminal</b>	20 NM

### Constant Power Discharging Ratings - Watts Per Cell @ 20°C (68°F)

End Point Volts/Cell	1.5hr	2hr	3hr	4hr	5hr	6hr	8hr	10hr	12hr	20hr	24hr
1.85	155	128	89.7	71.2	59.2	61	40.9	34.2	29.5	19.4	15.9
1.80	166	131	94.3	74.6	62	64.6	42.6	35.5	30.3	20	16.8
1.75	171	136	96.3	76	63.3	65.6	43.4	36.2	30.9	20.3	17.1

### Constant Current Discharging Ratings - Ampere per Cell @ 20°C (68°F)

End Point Volts/Cell	1.5hr	2hr	3hr	4hr	5hr	6hr	8hr	10hr	12hr	20hr	24hr
1.85	80.6	64.5	45.9	36.2	29.9	26.7	20.8	17.1	14.5	9.6	7.87
1.80	86.2	68.6	48.8	38.3	31.8	28.3	21.5	18	15.3	9.9	8.41
1.75	88	70.3	49.9	39.3	32.3	29.1	22.2	18.4	15.7	10.2	8.66

**Note:** Batteries to be mounted with 0.5 in (1.25 cm) spacing minimum and free air ventilation. Specifications subject to change without notification.

