

Standard Range VRLA

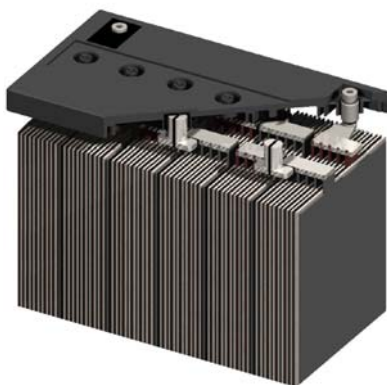
EverExceed®
power your applications

Long Duration and High Performance


For Telecommunication
/ Electric Utility Applications



ST-6180 VALVE REGULATED LEAD ACID BATTERY FOR TELECOM / ELECTRIC UTILITY APPLICATIONS 6V 180 AH @ 10 HR RATE 6V 205 AH @ 20 HR RATE



FEATURES

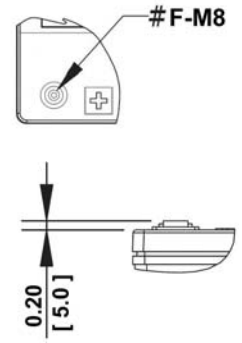
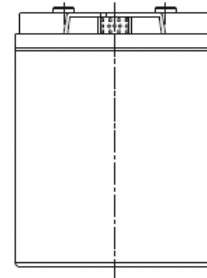
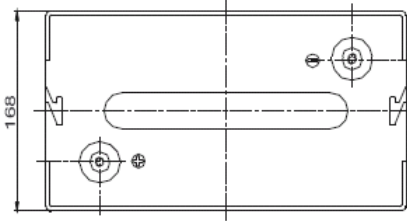
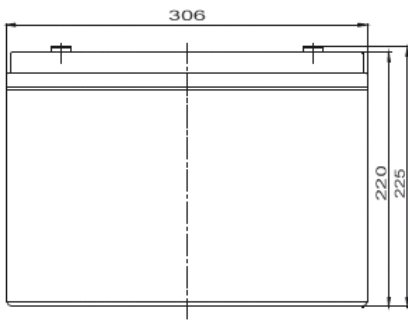
- 📦 Thick positive plate design for maximum service float life - 10 year design life @ 25°C(77°F).
- 📦  UL Recognized component .
- 📦 Valve regulated lead acid battery (VRLA).
- 📦 High-Compression Absorbed Glass Mat technology (AGM) for greater than 99% recombination efficiency.
- 📦 Operates at a low internal pressure.
- 📦 Heavy duty insert copper alloy terminals for ease of assembly, reduced maintenance and increased safety.
- 📦 Advanced lead tin calcium alloy, reduces grid corrosion and promotes long battery life.
- 📦 **Standard:** Reinforced ABS (UL 94HB) container and cover
Optional: Flame-retardant reinforced ABS container and cover compliant with U.L.94 V-0 with an Oxygen limiting Index of greater than 28%.
- 📦 Over-sized, through the partition inter-cell welds provide low resistance connections, with minimal power loss.
- 📦 Flame arresting, low pressure safety release venting system for individual cells, recognized per U.L. 924.
- 📦 Multicell design for ease of installation and maintenance.
- 📦 Horizontal or vertical operation.

6 VOLTS - 180 AMPERE HOUR @ 10 HOUR RATE

AH Capacity to 1.80VPC @ 77°F (25°C)

End Point Volts/Cell	1.5hr	2hr	3hr	4hr	5hr	8hr	10hr	12hr	20hr
1.80	129	138	146	153	159	172	180	183	200

ST-6180



ST-6180 – Specifications

Cells Per Unit	Voltage Per Unit	Weight	Electrolyte	CCA at -18°C (0°F)	Short Circuit Current	Ohms Imped 60 Hz (Ω)
3	6.42	63.3 lbs 28.7 kg	Absorbed H ₂ SO ₄ SG = 1.300	1170 Amps	4800 Amps	0.0020

Capacity	205 Ah @ 20 hr. rate to 1.75 volts per cell @ 77°F (25°C). 180 Ah @ 10 hr. rate to 1.80 volts per cell @ 25°C (77°F).
Applicable Operating Temperature Range	-40°F (-40°C) to +140°F (60°C).
Ideal Operating Temperature Range	+68°F (+20°C) to +77°F (25°C).
Floating Charging Voltage	6.75 to 6.90 VDC/unit Average at 77°F (25°C).
Recommended Maximum Charging Current Limit	0.25C20 amperes (51.25 amperes @ 100% depth of discharge) @ 20 hr. rate.
Equalization and Cycle Service Charging Voltage	14.4 to 14.8 VDC/unit Average at 77°F (25°C).
Maximum AC Ripple (Charger)	0.5% RMS or 1.5% P-P of float charge voltage recommended for best results. Maximum voltage allowed = 1.4% RMS (4% P-P). Maximum current allowed = 10.25 amperes RMS (C/20).
Self Discharge	EverExceed Standard Range batteries may be stored for up to 6 months at 77°F (25°C) and then a freshening charge is required. For higher temperatures the time interval will be shorter.
Accessories	Inter unit connectors racks and cabinet systems are available.
Terminal: Inserted	Threaded copper alloy insert terminal
Terminal Hardware Initial Torque: Inserted Terminal	11 N-m

Constant Power Discharge Ratings – Watts Per Cell @ 77°F (25°C)

End Point Volts/Cell	Operating Time to End Point Voltage (in hour)									
	1.5	2	3	4	5	8	10	12	20	24
1.85	155	128	89.7	71.2	59.2	40.9	34.2	29.5	19.4	15.9
1.80	166	131	94.3	74.6	62.0	42.6	35.5	30.3	20.0	16.8
1.75	171	136	96.3	76.0	63.3	43.4	36.2	30.9	20.3	17.1

Constant Current Discharge Ratings – Amperes @ 77°F (25°C)

End Point Volts/Cell	Operating Time to End Point Voltage (in hour)									
	1.5	2	3	4	5	8	10	12	20	24
1.85	80.6	64.5	45.9	36.2	29.9	20.8	17.1	14.5	9.6	7.87
1.80	86.2	68.6	48.8	38.3	31.8	21.5	18.0	15.3	9.9	8.41
1.75	88.0	70.3	49.9	39.3	32.3	22.1	18.4	15.7	10.2	8.66

Note: Batteries to be mounted with 0.5 in (1.25 cm) spacing minimum and free air ventilation. Specifications subject to change without notification.